

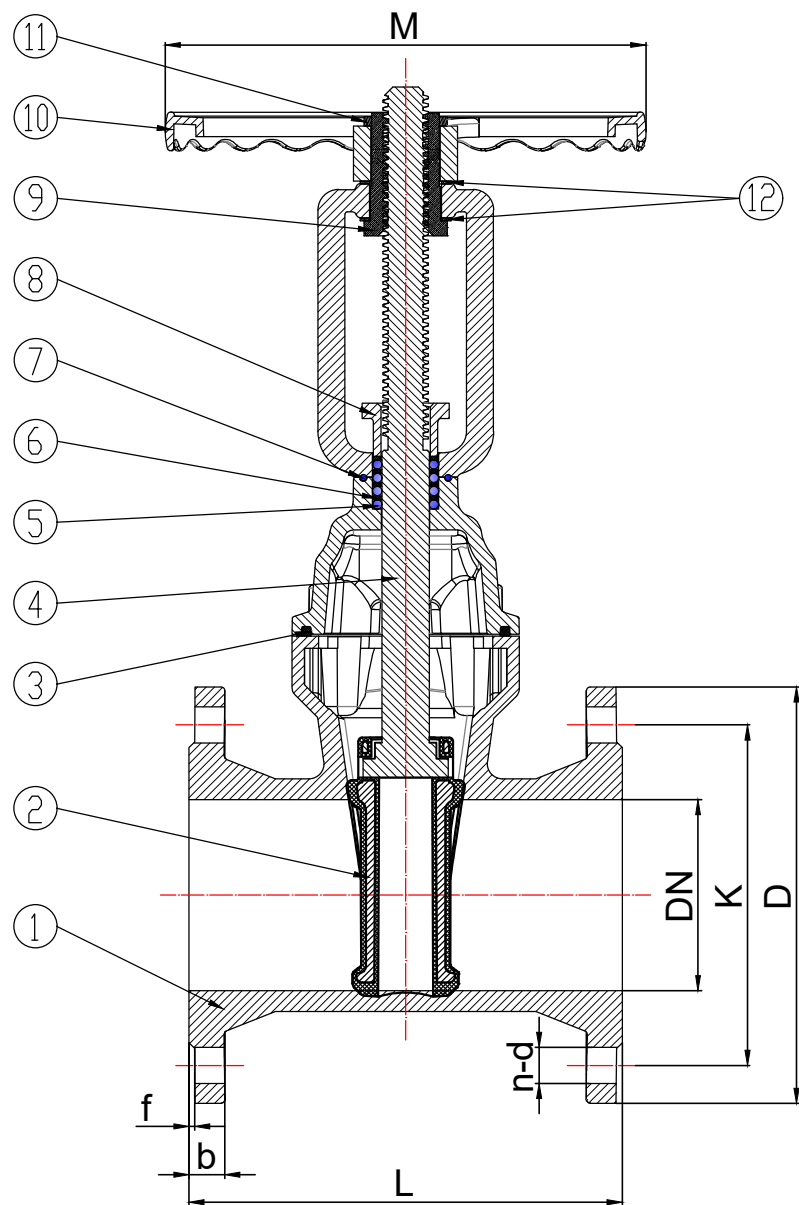
# Rising Stem Resilient Seated Gate Valves

## Reference Standard

Design	EN 1171
Flange	EN 1092-2
Face to Face	EN 558-1
Tests	EN 12266-1

## Main Technical Parameters

DN	DN50-400	
PN	1.6MPa	
Test pressure	Strength	2.4MPa
	Seal up	1.8MPa
Temperature	0-80°C	
Medium	Clear, sewage, air	
Drive form	Handwheel	



12	Anti Friction Pad	SS304	ASTM A959
11	Lock Nut	C45E	EN 10083-2
10	Handwheel	GGG50	DIN 1693
9	Stem Nut	CuZn39Pb1	EN 12167
8	Gland	GGG50	DIN 1693
7	O Ring	NBR	ISO 4633
6	Sealing Washer	POM	ISO 9988-1
5	O Ring	NBR	ISO 4633
4	Stem	SS420	ASTM A959
3	Bonnet Gasket	NBR	ISO 4633
2	Disc	EPDM+GGG50	DIN 1693
1	Body	GGG50	DIN 1693
ITEM	PART NAME	MATERIAL	STANDARD

DN	OUTLINE mm				END FLANGE PN10/16 mm				
	BS5163	DIN-F4	DIN-F5	M	EN1092-2				
	L				D	K	n-d	b	f
50	178	150	250	Ø200	165	125	4-Ø19	19	3
65	190	170	270	Ø200	185	145	4-Ø19	19	3
80	203	180	280	Ø200	200	160	8-Ø19	19	3
100	229	190	300	Ø254	220	180	8-Ø19	19	3
125	254	200	325	Ø315	250	210	8-Ø19	19	3
150	267	210	350	Ø315	285	240	8-Ø23	19	3
200	292	230	400	Ø315	340	295	8-Ø23/12-Ø23	20	3
250	330	250	450	Ø406	405	350/355	12-Ø23/12-Ø28	22	3
300	356	270	500	Ø406	460	400/410	12-Ø23/12-Ø28	24.5	4
350	381	290	550	Ø500	520	460/470	16-Ø23/16-Ø28	26.5	4
400	406	310	600	Ø500	580	515/525	16-Ø28/16-Ø31	28	4